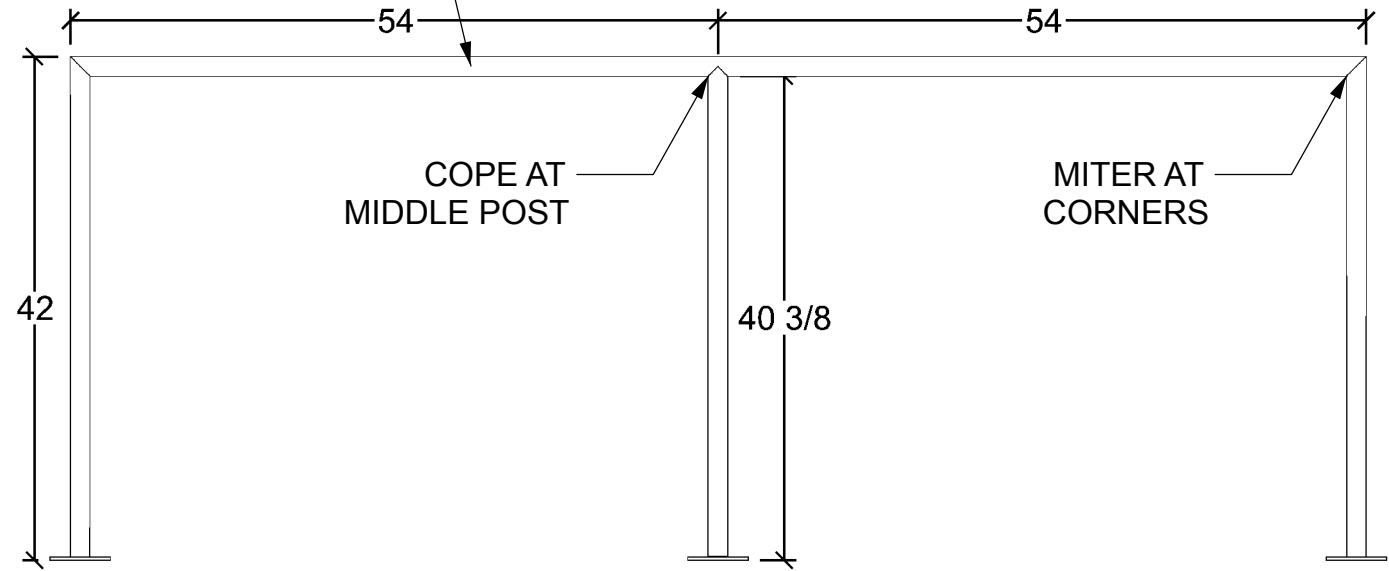
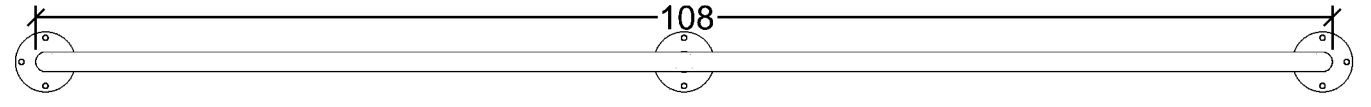


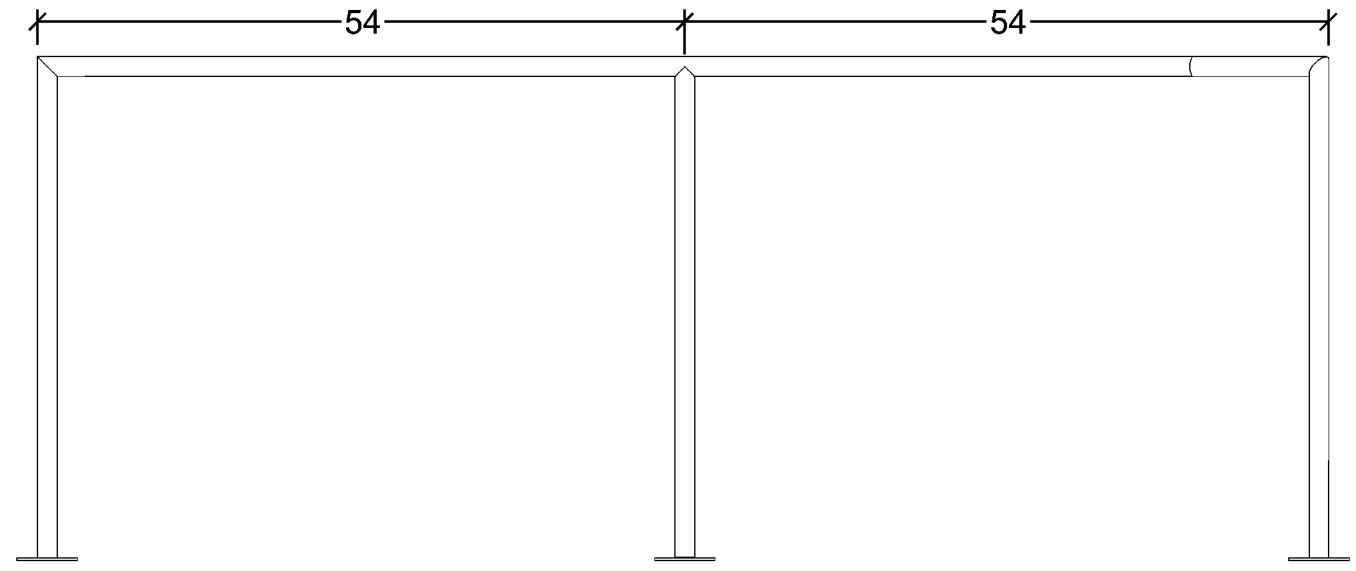
1-1/4" PIPE (1-5/8" OD)
WELDED AND PREPPED
FOR POWDER



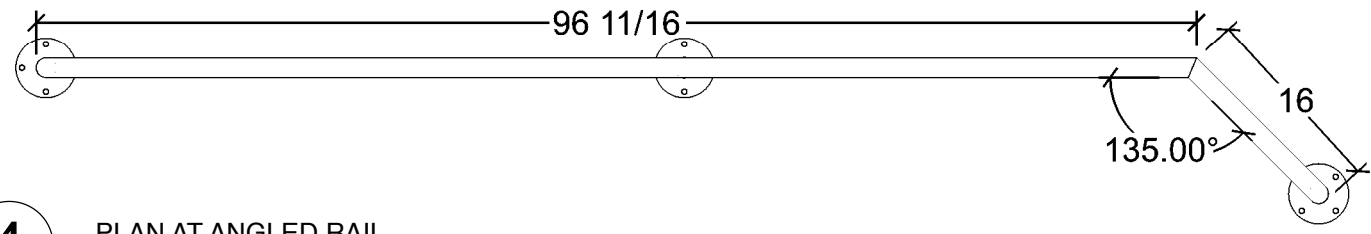
1 ELEVATION AT STRAIGHT RAIL
SCALE: 1" = 16"



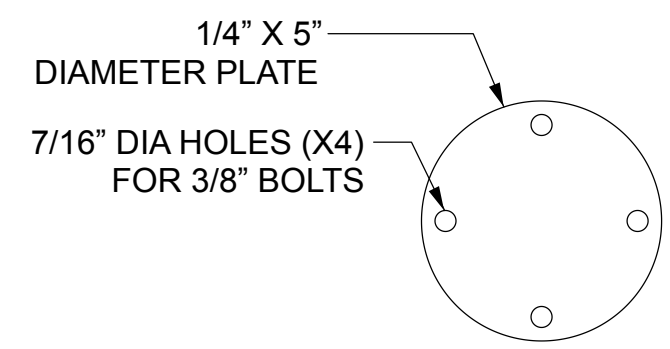
2 PLAN AT STRAIGHT RAIL
SCALE: 1" = 16"



3 ELEVATION AT ANGLED RAIL
SCALE: 1" = 16"



4 PLAN AT ANGLED RAIL
SCALE: 1" = 16"



5 MOUNTING PLATE DETAIL
SCALE: 1" = 4"

Designed	Drawn	Checked	Approved	Date
BAR DIVIDER RAIL			ROUND RAILS	
REVISIONS			Date	Approved
Description				
File No.				
Sheet				