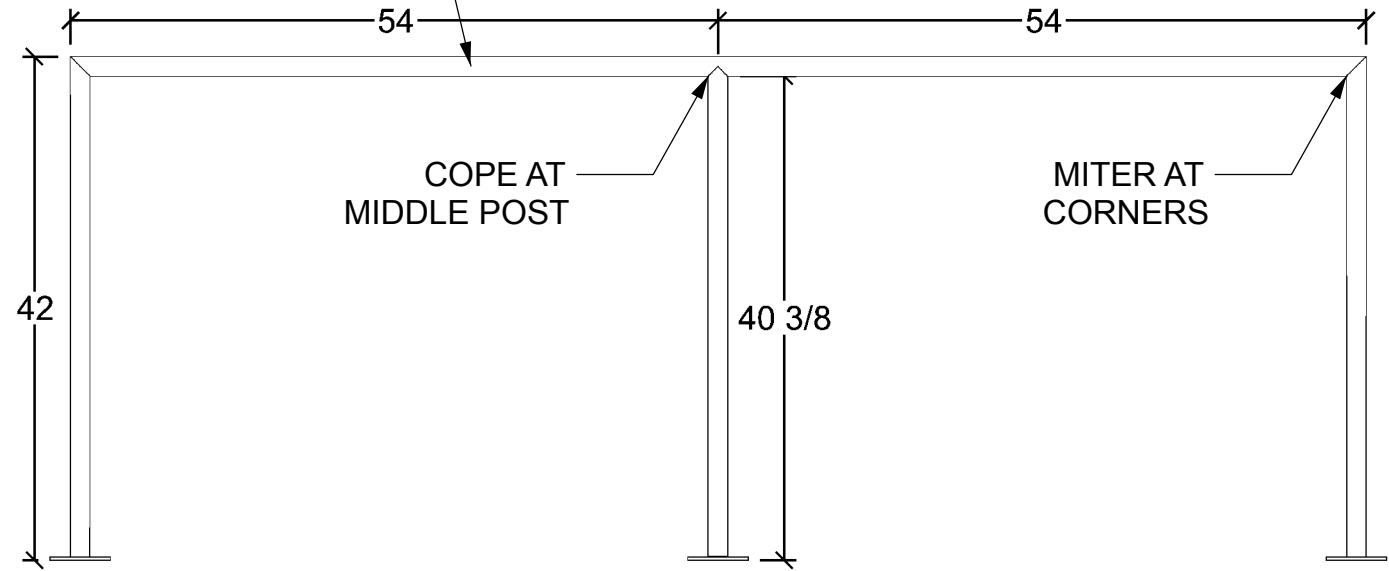
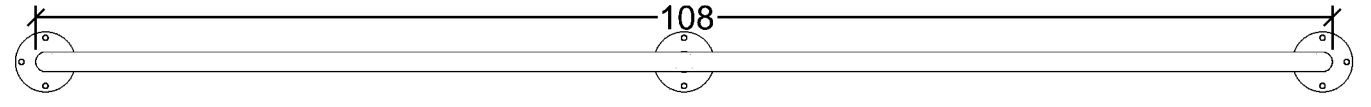


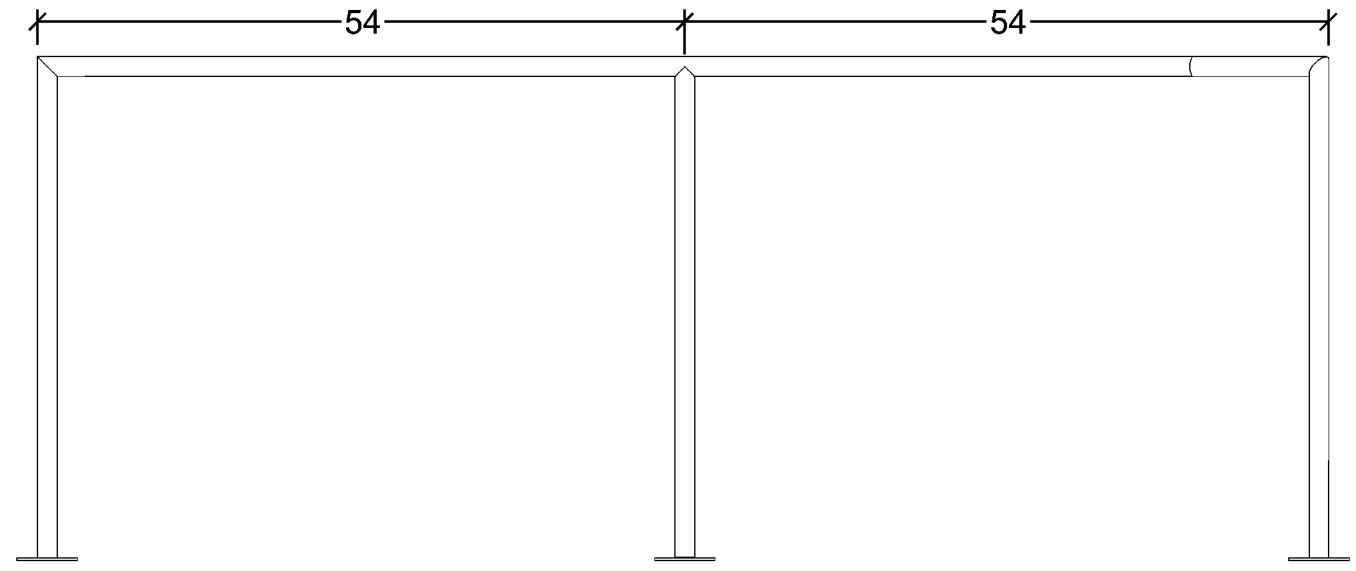
1-1/4" PIPE (1-5/8" OD)  
WELDED AND PREPPED  
FOR POWDER



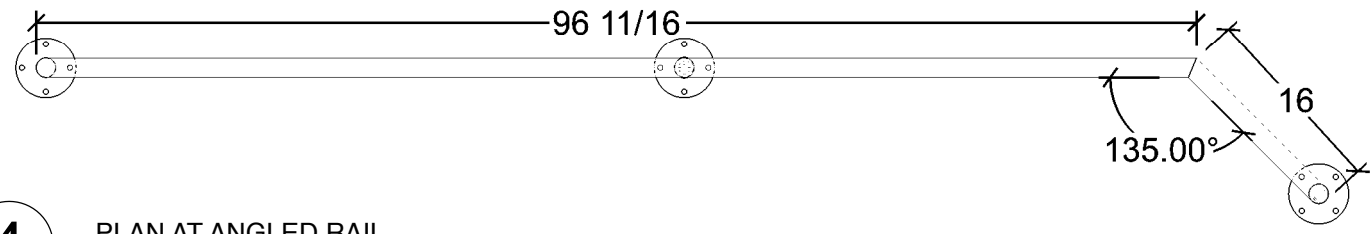
**1** ELEVATION AT STRAIGHT RAIL  
SCALE: 1" = 16"



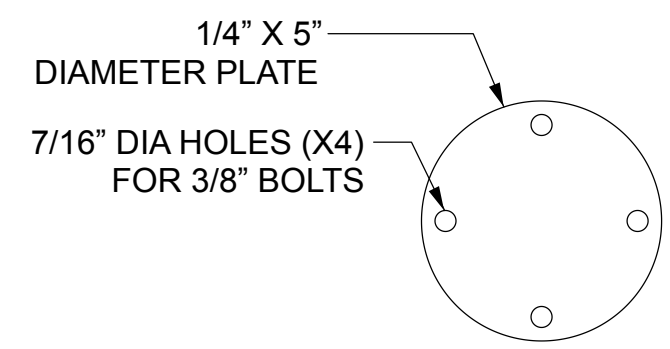
**2** PLAN AT STRAIGHT RAIL  
SCALE: 1" = 16"



**3** ELEVATION AT ANGLED RAIL  
SCALE: 1" = 16"



**4** PLAN AT ANGLED RAIL  
SCALE: 1" = 16"



**5** MOUNTING PLATE DETAIL  
SCALE: 1" = 4"

Designed	Drawn	Checked	Approved	Date
BAR DIVIDER RAIL			ROUND RAILS	
REVISIONS		Description	Approved	
Date				
File No.				
Sheet				