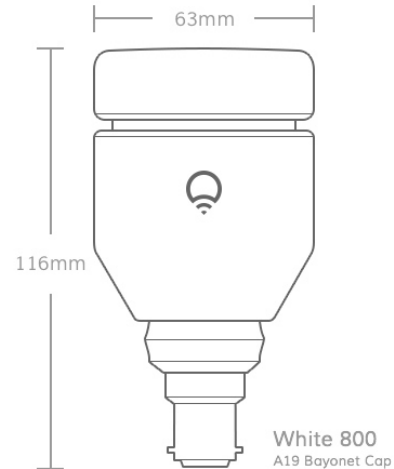
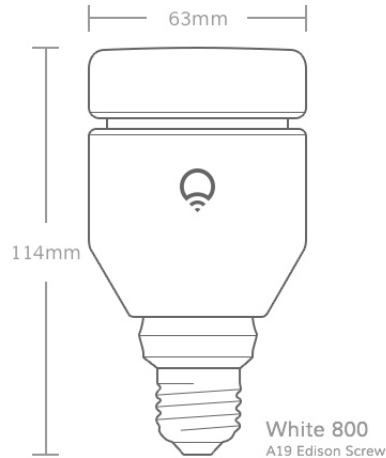




White 800 Product Information Sheet



Fitting Type	E26 Edison Screw: US, Canada, Japan, Taiwan, Central America and South America. E27 Edison Screw: South America and Rest of World B22 Bayonet Cap: Europe, India, Australia and New Zealand
Voltage Range	E26 Edison Screw : Low Voltage - 100V to 120V E27 and B22 Fittings : High Voltage - 220V to 240V
Lumens	890 lumens (60W equivalent)
Wattage	11W at full brightness
Product Dimensions [Edison]	Inches: 2.48" W x 4.37" H Millimeters: 63mm x 114mm
Product Dimensions [Bayonet]	Inches: 2.48" W x 4.57" H Millimeters: 63mm W x 116mm H
Product Weight [Edison]	8.32 ounces (236gms)
Product Weight [Bayonet]	8.61 ounces (244 grams)
Beam Angle	139 Degrees
Color Temperature	2,700 K - 6,500 K
Dimming	Software dimming
Expected Lifetime	Up to 22.8 years based on 3 hours usage per day.
Material/Finish	Pearl White
Precautions	Not intended for use in weather exposed areas
Operating System	iOS 8.0+ or Android 4.0+
Warranty	2-year limited hardware warranty
Packaging Dimensions	Inches : 3.74" L x 3.35" W x 6.38" H Millimeters: 95mm L x 85mm W x 162mm H
Wi-Fi Router Requirements	Wi-Fi router must be standard 802.11 b, g or n 2.4Ghz compliant. WPA2 security (highly recommended)
Product Code	E26 Fittings : BUL-11-A19E26-W E27 Fittings : BUL-11-A19E27-W B22 Fittings : BUL-11-A19B22-W